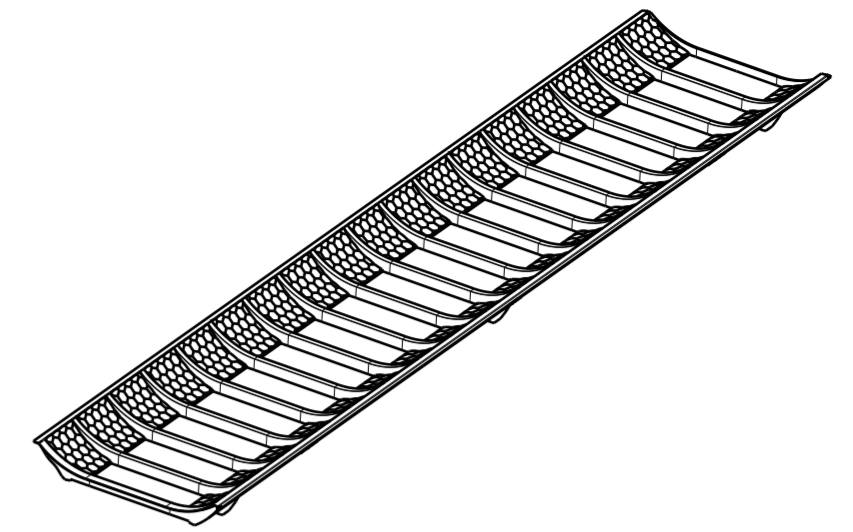
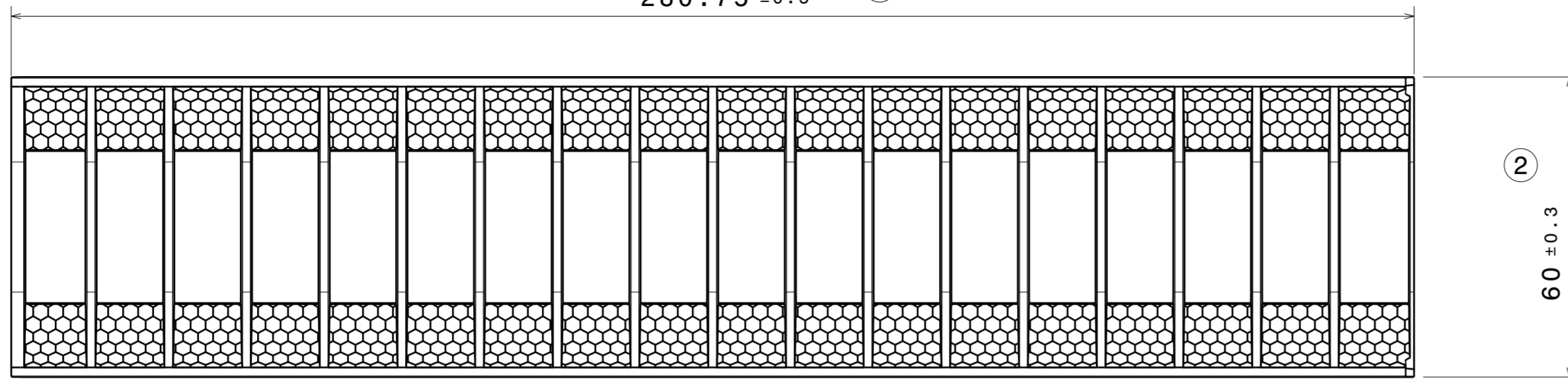


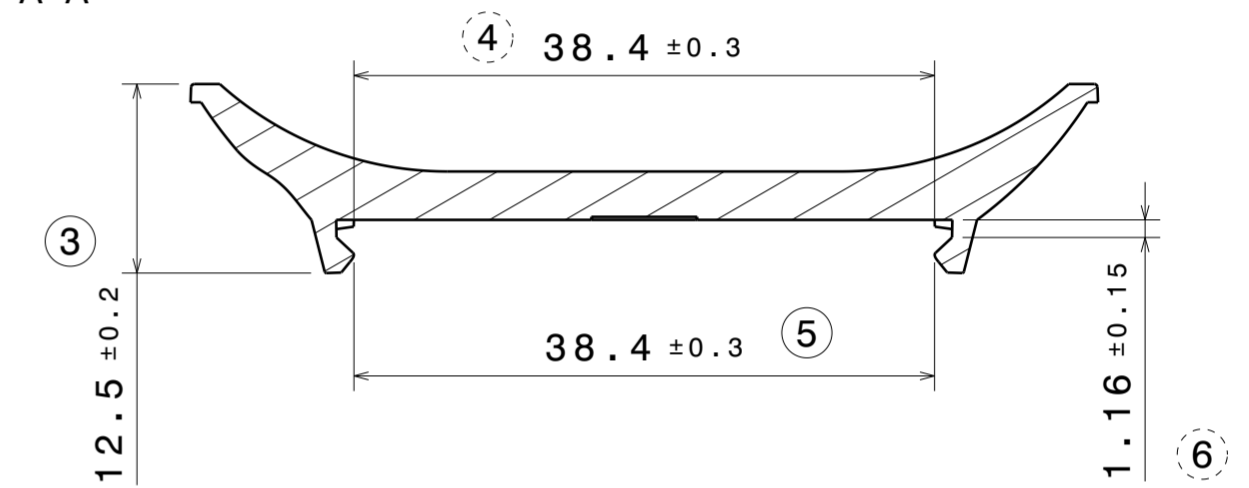
280.75 ±0.5 (1)

(2) 60 ±0.3

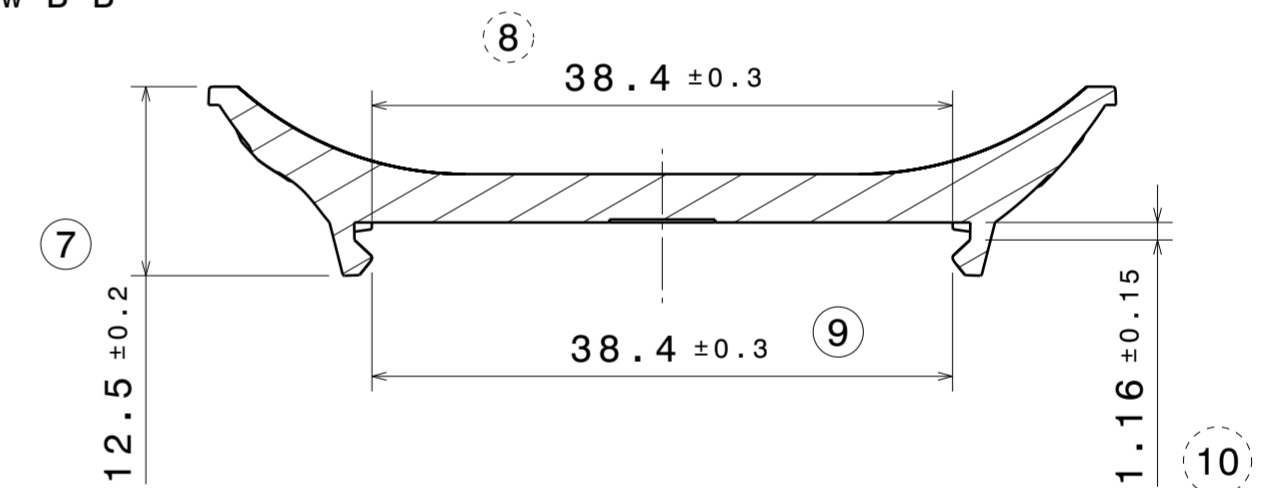
Top View  
Scale: 1:1



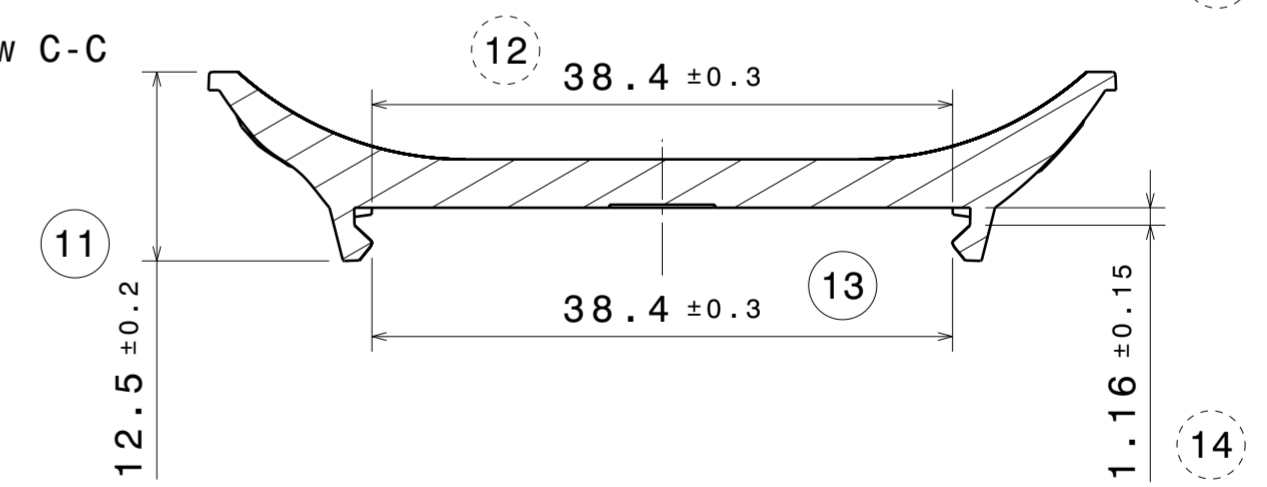
Section view A-A  
Scale: 2:1



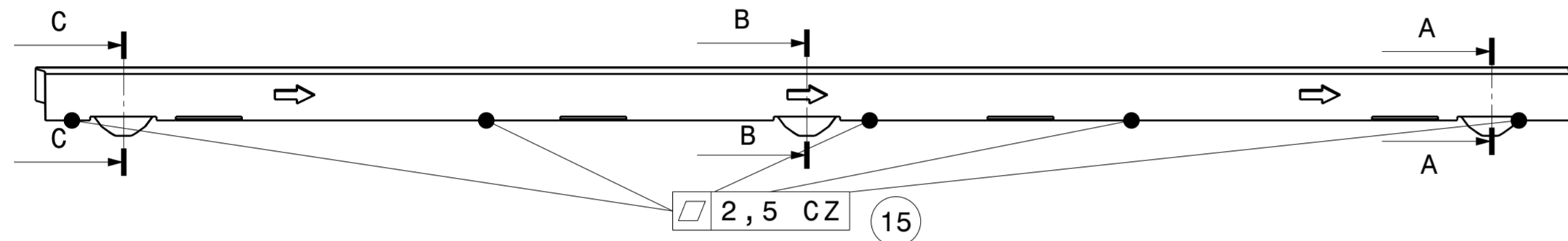
Section view B-B  
Scale: 2:1



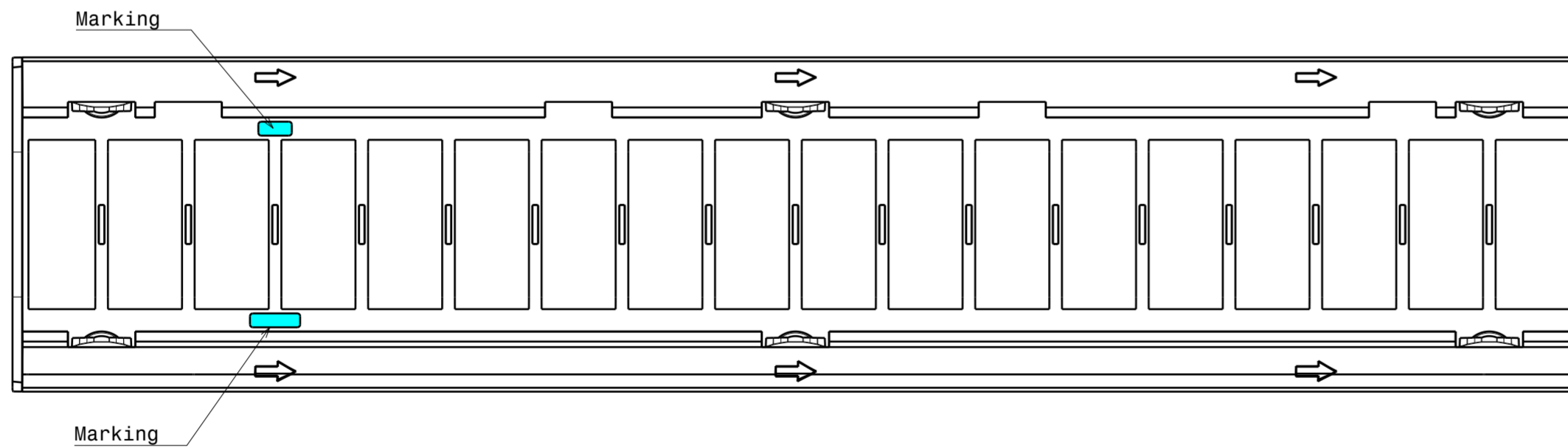
Section view C-C  
Scale: 2:1



Allowed bending direction



Bottom View  
Scale: 1:1



**Notes**

- PCB or heatsink level.
- LED location
- Ensure LED fitting from a product specific 3D model available from [www.ledil.com](http://www.ledil.com)
- For more details about installation please see LEDiL Installation Guide on [www.ledil.com](http://www.ledil.com)

PART		MATERIAL	COLOR / COATING
L20363_LIANNA-2R-SHD-MET-L1_MechanicalModel		PC	metallized
<b>MECHANICAL DRAWING</b>			
PRODUCT		<b>LIANNA</b>	
Plastic moulding general tolerances according to DIN 16901-130 and applies if not otherwise shown in the drawing. Silicone moulding general tolerances according to ISO 3302-1 Class M3 and applies if not otherwise shown in the drawing.		FIRST ANGLE PROJECTION:	This drawing is the property of LEDiL Oy. It may not be copied or otherwise distributed without prior written permission from LEDiL Oy.
SCALE	1:1	WEIGHT 27 g (16)	A2 SHEET 1/1

